



Ford Transit™

Hazardous Material Placards

Kit Number 23003595SK

Contents

<i>Introduction</i>	2
<i>Notes, Cautions, and Warnings</i>	3
<i>Recommended Tools</i>	3
<i>Kit Part List</i>	4
<i>Installation Instructions</i>	5
<i>Revision Control</i>	8
<i>Important Notices</i>	8

Customer Service

574-848-2073

Monday–Friday 8 a.m. to 5 p.m. Eastern Standard Time Zone

Email: Parts@Utilimaster.com

NOTE: The information in this document is generic. Images and procedures may differ from those for vehicles you are servicing. Because Utilimaster manufactures customized vehicle solutions, this document cannot list and illustrate every possible option for every vehicle. The most common body options are described here. Use this information as a guideline.

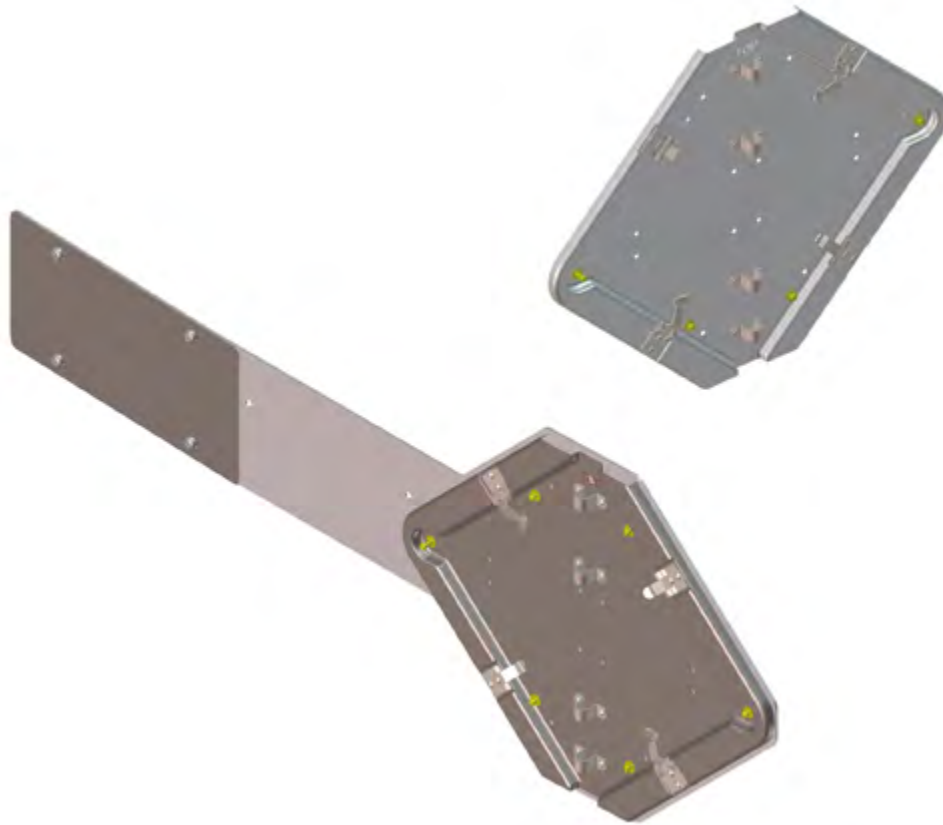
Document Part Number: 03104504-N007EN

– Revision A –

Introduction

This document provides instructions for the installation four 15 x 18" hazardous material placard holders that can be mounted on the front bumper, rear door, and each sidewall of the Ford Transit™ cargo van. Each placard holder containing the following placards: Dangerous Flammable 3, radioactive 7, Dangerous When Wet 4, Blank, Explosives 1.4, Flammable Gas 2, Non-Flammable Gas 2, Oxidizer 5.1, Toxic 6, and Corrosive 8.

This manual contains drawings and photos to aid in servicing the vehicle. It may include maintenance information on some items installed but not manufactured by Utilimaster Corporation. Items such as drivetrain components and certain interior furnishings may be covered by separate manufacturer-supplied information. Information provided here is intended to assist Utilimaster customers and is in no way meant to replace or supersede instructions provided by other suppliers for their products.



*Hazardous Material Placards kit
(Front bumper and one side shown for clarity)*

Notes, Cautions, and Warnings

Reading through the procedures, you will see NOTES, CAUTIONS, and WARNINGS. Each is there for a specific purpose.

NOTES give additional information that will help you complete the procedure.

CAUTIONS warn against making an error that could damage the vehicle.

WARNINGS remind you to be careful when there is risk of personal injury.



When you see this symbol, read this statement first! This alert highlights information that may reduce the risk of personal injury or vehicle damage.

Below are some basic WARNINGS that you should heed when you work on the vehicle's body. They are not all-inclusive and common sense must be used when servicing vehicles.

- Always read and understand all instructions before starting.
- Always wear safety glasses and other appropriate protective equipment (gloves, steel-toed shoes, face shields, knee pads, hearing protection).
- Put the transmission in Park, and set the parking brake before working on the vehicle.
- Be sure that the ignition switch is Off unless otherwise required by the procedure.
- Keep your hair, clothing, and body away from all moving parts such as engine pulleys and power tools.
- Always remove rings, watches, hanging jewelry, and loose clothing before working in tight areas.
- Read and understand all warning labels.
- Always use proper ladders or scaffolding to perform required jobs.
- Always make sure tools are in proper working condition and have guards and safety devices in place.
- Use only the recommended tools for a specific job.
- If at any time you lack confidence in performing a specific repair procedure or in operating the tools safely to perform the repair, STOP! Call your Utilimaster representative.

Recommended Tools

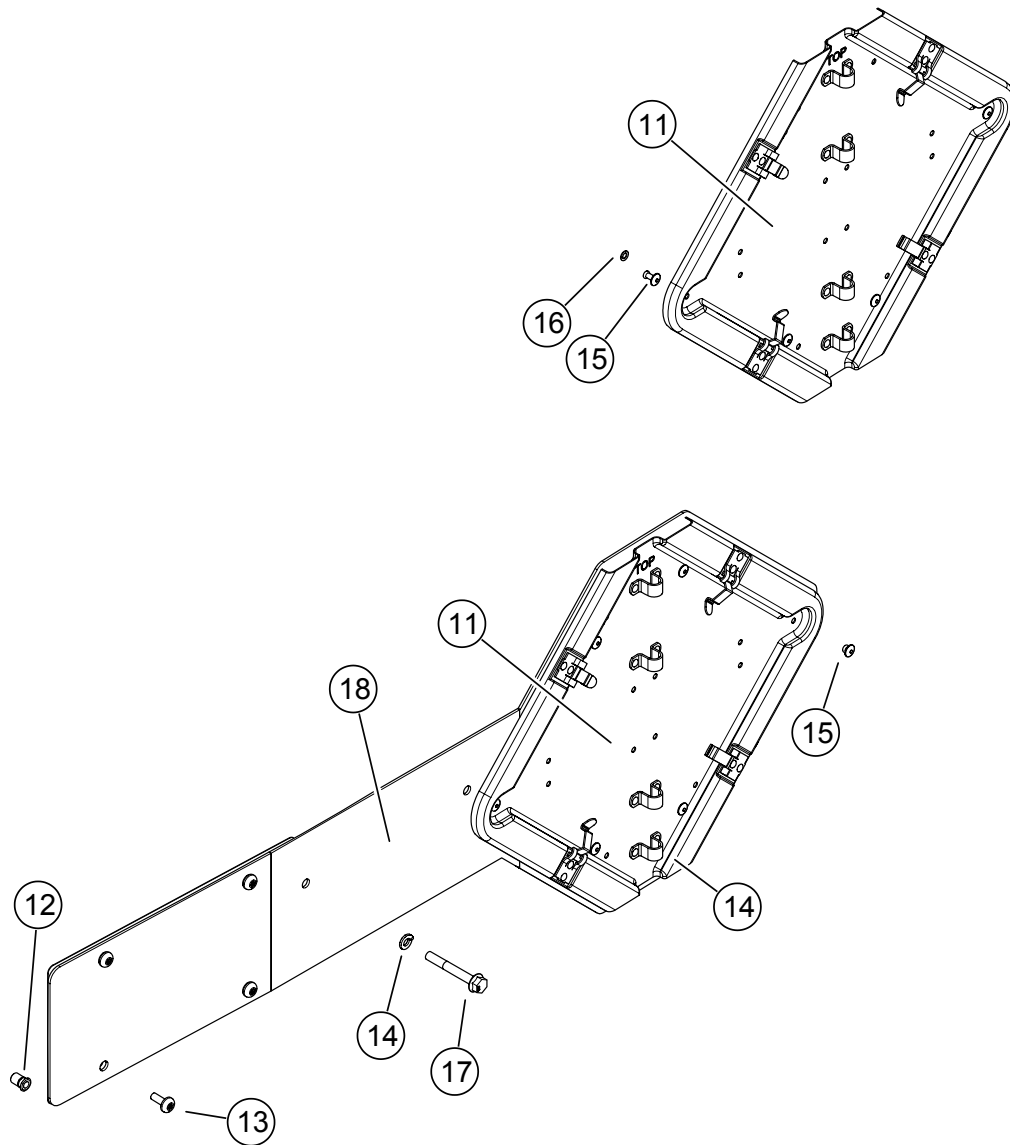


WARNING: Always wear safety glasses and other proper protective equipment (gloves, steel-toed shoes, face shields, knee pads, hearing protection) as appropriate to the process.

Below are some tools that you will need for this process. There may be other commonly used hand tools required but not specifically mentioned.

- Drill with #7 and 25/64" bits and drill stop
- Torx bit set
- Paint marker
- Standard combination and ratchet wrench sets including swivel adapter and extensions
- Rivet gun
- Avdel® 74200 hydro-pneumatic tool for threaded inserts or equivalent

Kit Part List



23003587SK		Transit-HAZARDOUS MATERIAL PLACARDS	
BOM ID	Part Number	Description	Qty
0	23003595SK	23003595a ASSY FRNT BMPR HAZMAT/LICENSE PLATE	1
11	03102463	PLACARD HAZ-MAT SOLID	4
12	11000150	INSERT THREAD 1/4-20	4
13	11001401	SCREW 1/4-20 x 11/16 PAN TORX	4
14	11002810	WASHER 5/16 LOCK ZINC	2
15	11600835	RIVET POP 3/16	24
16	11601114	WASHER NEOPRENE 3/16"	18
17	11602342	BLT FLG M8-1.25 X 60 GR8.8 ZN	2
18	22826246	BRACKET FRONT BUMPER HAZMAT/LICENSE	1
NS_1	03104504-N007EN	HAZMAT PLACARDS INSTALL INSTRUCT	1

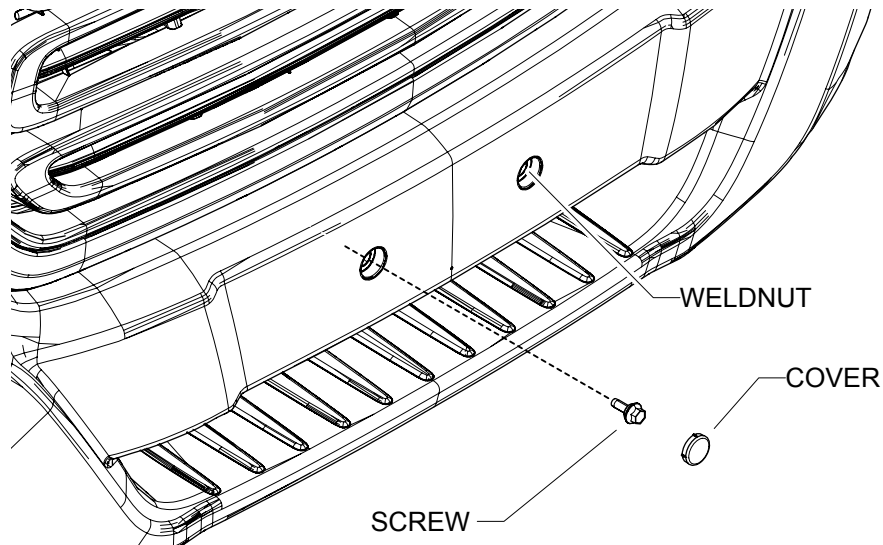
Installation Instructions

1. Read and understand all instructions before starting work.
2. Validate the packing slip with the list of parts in the instructions.



CAUTION: Use a drill stop to avoid damage to exterior panels and components.

3. Pry out the (2) screw cover caps from the front bumper and discard.
4. Remove (2) screws installed behind the bumper caps and discard.



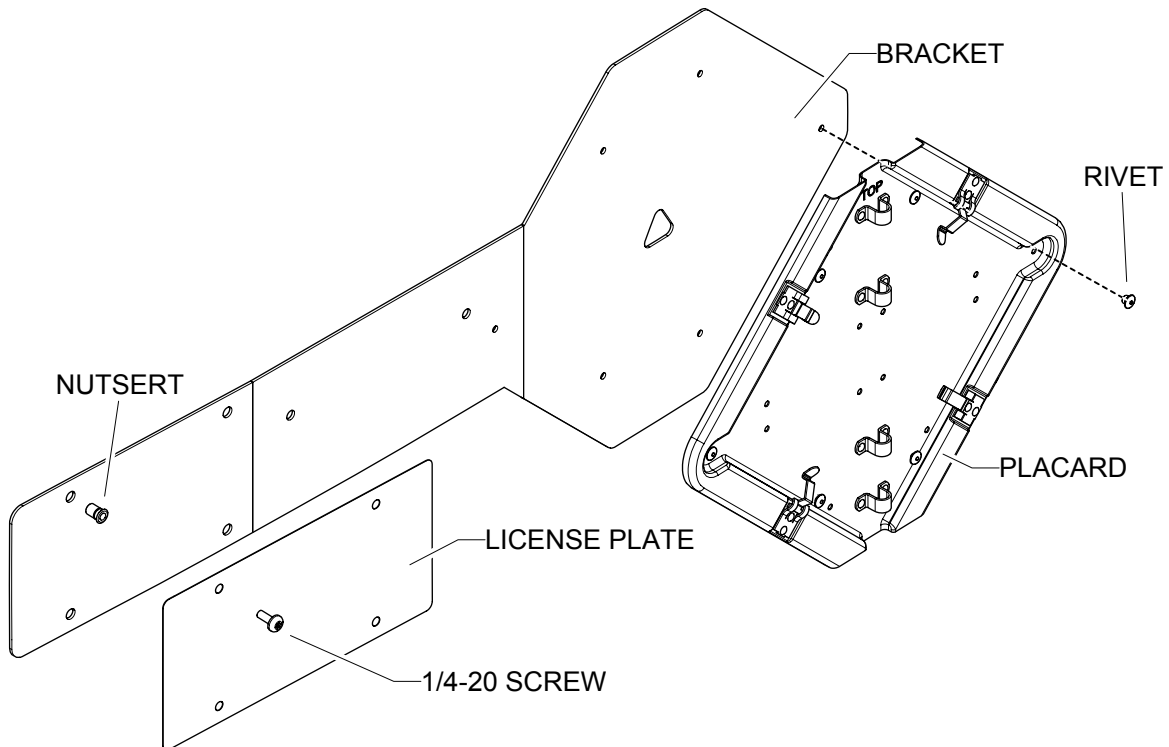
Screw covers in front bumper

5. Secure placard bumper bracket using (2) M8 bolts and (2) lock washers.



Bracket fasteners for front bumper

6. If clearance holes are needed for nutserts, use holes in the bracket as a guide and a drill stop to drill 25/64" bit holes through the bumper.
7. Use a pneumatic tool for threaded inserts to install (4) 1/4-20 nutserts in bracket.
8. Secure (4) 1/4-20 Torx screws in nutserts for license plate if needed.
9. Confirm the orientation of the placard and secure placard with (6) rivets.



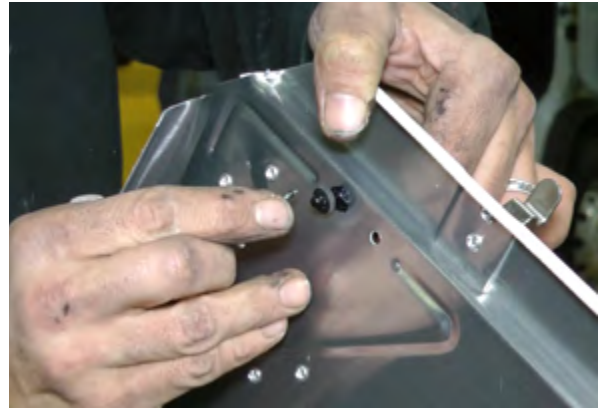
License plate and placard fasteners

Side Panels and Rear Door

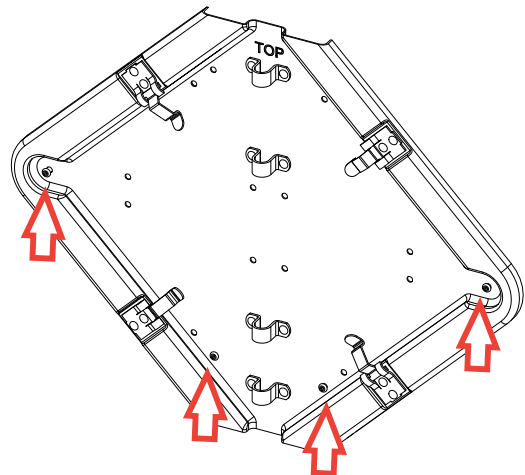


CAUTION: Use a drill stop when drilling through the door and side panels.

1. Center the placard in the customer specified location.
2. Confirm placard orientation and use the holes in the placard as guide to mark (4) holes.
3. Use a drill with drill stop to drill (4) #7 holes into the body panel.
4. Use a paint marker to coat the exposed edges of the holes.
5. Secure placard with (4) rivets and neoprene washers between placard and body panel.



Rivet with neoprene washer



Placard rivet locations

Revision Control

Document Part Number: 03104504-N007EN

Revision: A

August 2014

Important Notices

© 2014, Utilimaster Corp.®

Title: *Transit—Hazardous Material Placards*

Utilimaster Corporation attempts to provide information that is accurate, complete, and useful. All information contained in this manual is based on the latest product information available at the time of publication. However, because of the Utilimaster policy of continual product improvement, Utilimaster reserves the right to amend the information in this document at any time without prior notice.

This material is confidential and the property of Utilimaster. It is shared with your company for the sole purpose of helping you with the operation of the described equipment.

Utilimaster makes no warranty of any kind with regard to this material, including, but not limited to, the implied warranties of merchantability and fitness for a particular purpose. Utilimaster shall not be liable for errors contained herein or for incidental or consequential damages in connection with the furnishing, performance, or use of this material.

Utilimaster expressly disclaims all responsibility and liability for the installation, use, performance, maintenance, and support of third-party products. Customers are advised to make their independent evaluation of such products.

No part of this document may be photocopied, reproduced, or translated to another language without the prior written consent of Utilimaster.

Utilimaster® is a registered trademark of Utilimaster Corporation. All other products or name brands mentioned in this document are trademarks of their respective owners.

Browse our web site www.utilimaster.com for more information about Utilimaster and its products.