



Ford Transit™

Fire Extinguisher

Kit 23003584SK

Contents

<i>Introduction</i>	2
<i>Notes, Cautions, and Warnings</i>	3
<i>Recommended Tools</i>	4
<i>Kit Part List</i>	5
<i>Installation Instructions</i>	6
<i>Revision Control</i>	7
<i>Important Notices</i>	7

Customer Service

574-848-2073

Monday–Friday 8 a.m. to 5 p.m. Eastern Standard Time Zone

Email: Parts@Utilimaster.com

NOTE: The information in this document is generic. Images and procedures may differ from those for vehicles you are servicing. Because Utilimaster manufactures customized vehicle solutions, this document cannot list and illustrate every possible option for every vehicle. The most common body options are described here. Use this information as a guideline.

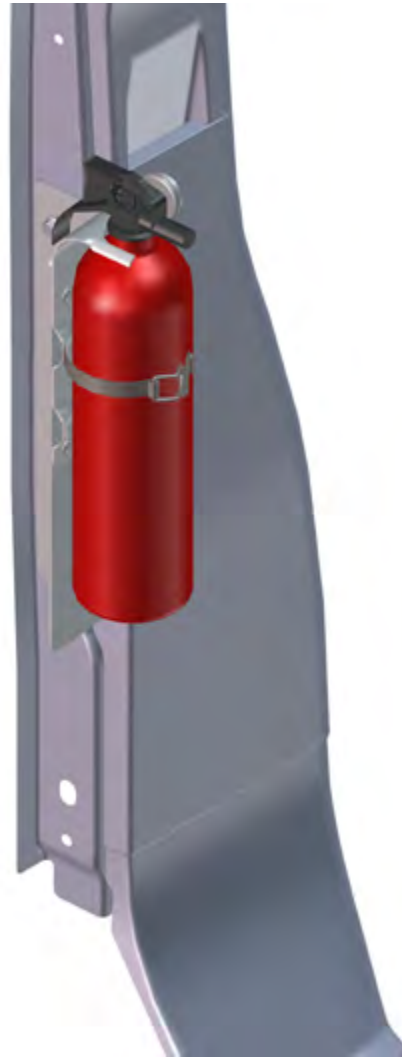
Document Part Number: 03104504-N004EN

– Revision A –

Introduction

This document provides instructions for the installation of a fire extinguisher kit mounted to the driver's side B-pillar in the Ford Transit™ cargo van.

This manual contains drawings and photos to aid in servicing the vehicle. It may include maintenance information on some items installed but not manufactured by Utilimaster Corporation. Items such as drivetrain components and certain interior furnishings may be covered by separate manufacturer-supplied information. Information provided here is intended to assist Utilimaster customers and is in no way meant to replace or supersede instructions provided by other suppliers for their products.



Fire extinguisher kit

Notes, Cautions, and Warnings

Reading through the procedures, you will see NOTES, CAUTIONS, and WARNINGS. Each is there for a specific purpose.

NOTES give additional information that will help you complete the procedure.

CAUTIONS warn against making an error that could damage the vehicle.

WARNINGS remind you to be careful when there is risk of personal injury.



When you see this symbol, read this statement first! This alert highlights information that may reduce the risk of personal injury or vehicle damage.

Below are some basic WARNINGS that you should heed when you work on the vehicle's body. They are not all-inclusive and common sense must be used when servicing vehicles.

- Always read and understand all instructions before starting.
- Always wear safety glasses and other appropriate protective equipment (gloves, steel-toed shoes, face shields, knee pads, hearing protection).
- Put the transmission in Park, and set the parking brake before working on the vehicle.
- Be sure that the ignition switch is Off unless otherwise required by the procedure.
- Keep your hair, clothing, and body away from all moving parts such as engine pulleys and power tools.
- Always remove rings, watches, hanging jewelry, and loose clothing before working in tight areas.
- Read and understand all warning labels.
- Always use proper ladders or scaffolding to perform required jobs.
- Always make sure tools are in proper working condition and have guards and safety devices in place.
- Use only the recommended tools for a specific job.
- If at any time you lack confidence in performing a specific repair procedure or in operating the tools safely to perform the repair, STOP! Call your Utilimaster representative.

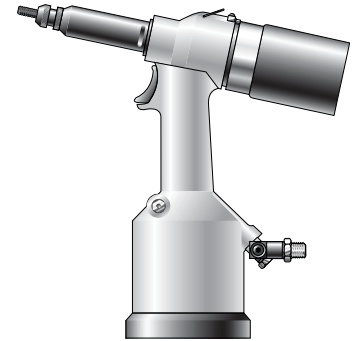
Recommended Tools



WARNING: Always wear safety glasses and other proper protective equipment (gloves, steel-toed shoes, face shields, knee pads, hearing protection) as appropriate to the process.

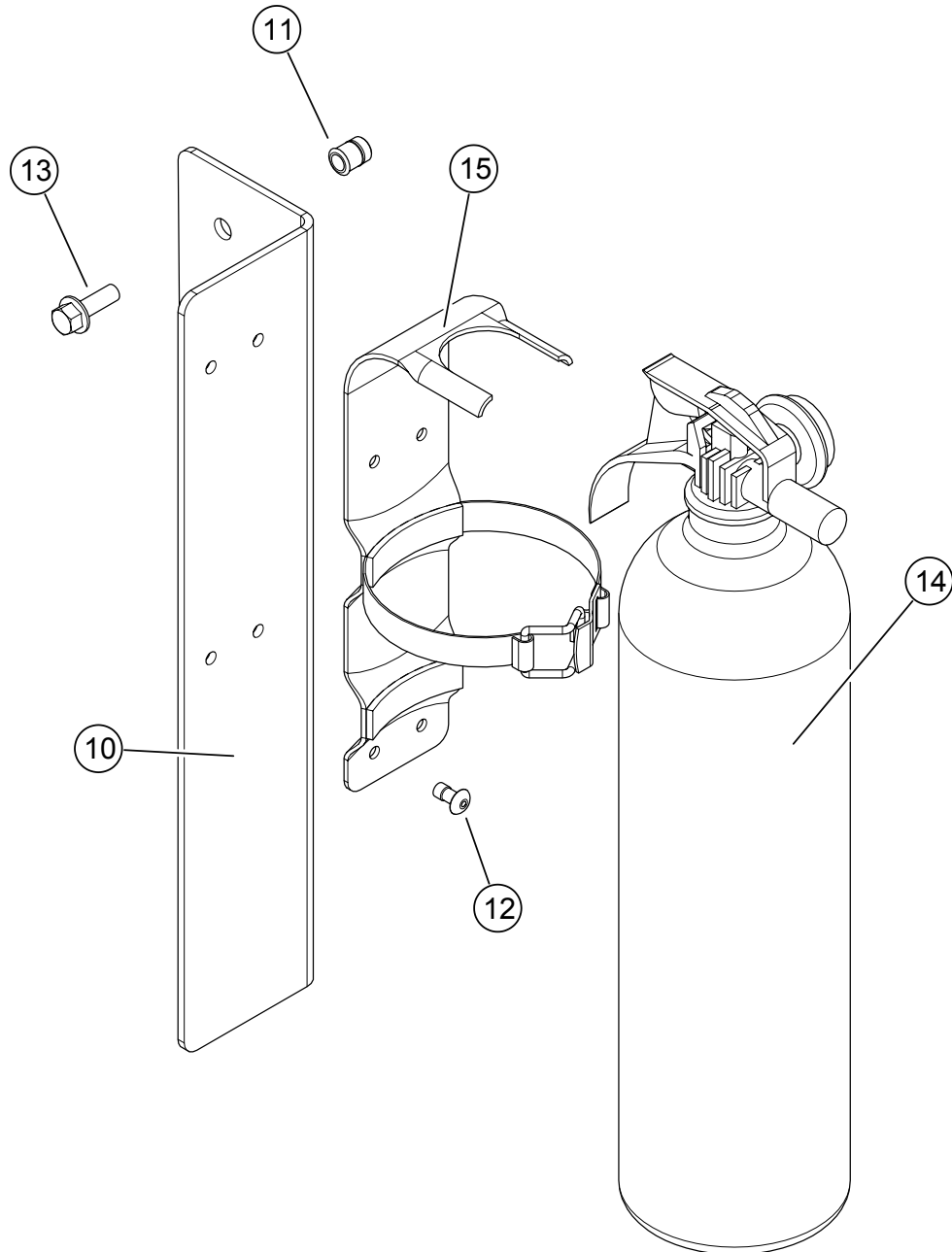
Below are some tools that you will need for this process. There may be other commonly used hand tools required but not specifically mentioned.

- Drill with 25/64" bit with drill stop
- Avdel® 74200 hydro-pneumatic tool for threaded inserts or equivalent
- Standard combination and ratchet wrench sets
- Rivet gun



Pneumatic nutsert power tool

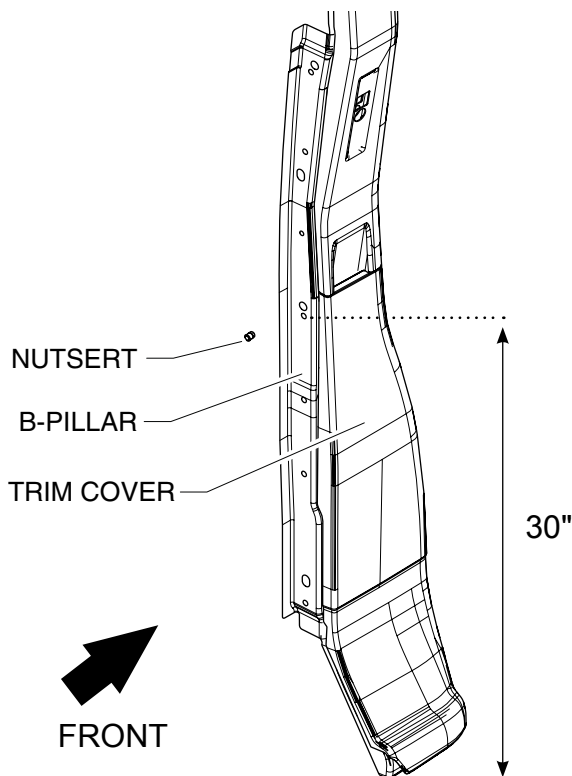
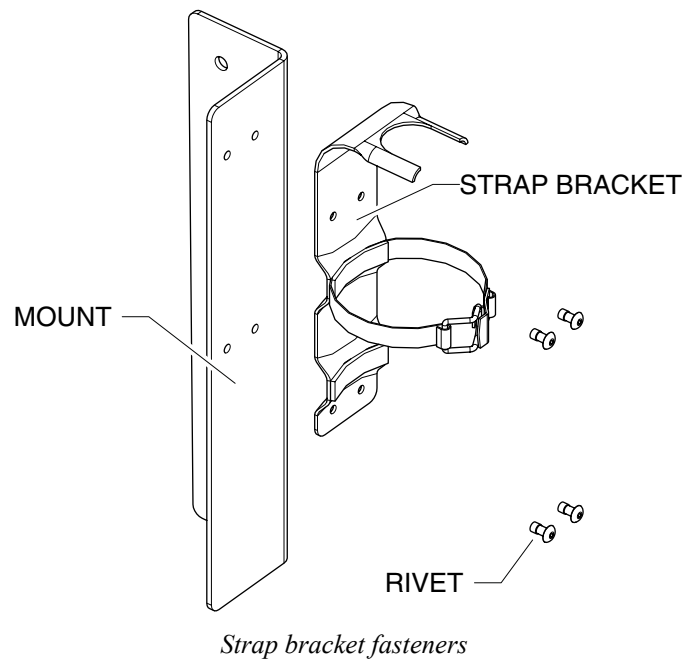
Kit Part List



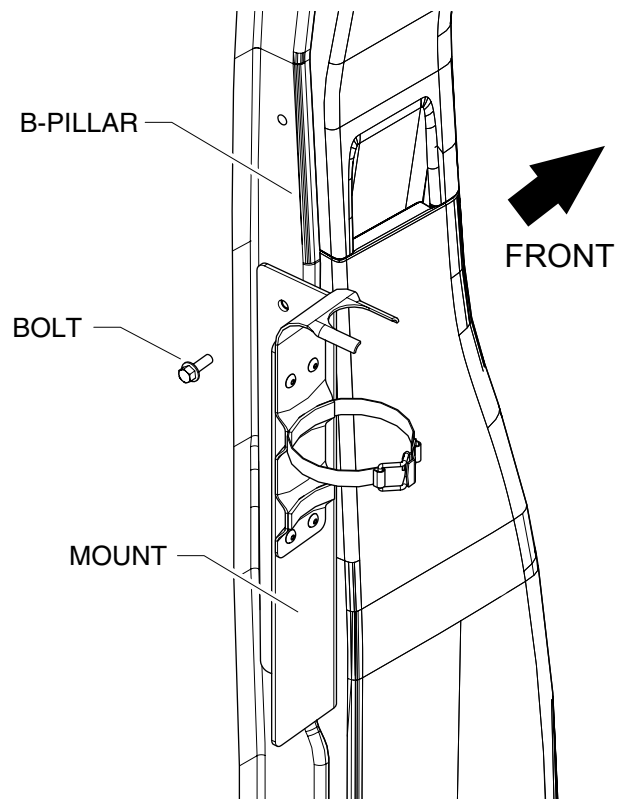
23003584SK		Transit-FIRE EXTINGUISHER KIT	
BOM ID	Part Number	Description	Qty
0	23003584SK	23003584a FIRE EXTINGUISHER METAL TRNST	1
10	06939398	MOUNT FIRE EXTINGUISHER TRNST	1
11	11009148	NUTSERT 1/4-20	2
12	11400028	MAGNA-LOC 3/16 ALUM	4
13	11600651	BOLT 1/4-20 x 3/4 FLG HD	2
14	21311567	FIRE EXT DISPOSABLE 2.5# ABC	1
15	21313725	BRKT STRAP FIRE EXT MTL	1
NS_1	03104504-N004EN	FIRE EXTINGUISHER INSTALL INSTRUCT	1

Installation Instructions

1. Read and understand all instructions before starting work.
2. Validate the packing slip with the list of parts in the instructions.
3. Secure the fire extinguisher strap bracket to the mount using (4) rivets.
4. Align the top bracket mount hole to the LH B-pillar hole 30" above the cab floor.
5. Use the bracket mount as a guide to mark the top and bottom holes in the B-pillar.
6. Use a 25/64" bit to open the holes in the B-pillar.
7. Use a pneumatic tool for threaded inserts to install (2) 1/4-20 nutserts in the B-pillar holes.
8. Secure bracket to B-pillar with (2) 1/4-20 bolts.
9. Secure fire extinguisher in bracket.



Nutsert in B-pillar



Fire extinguisher mount on B-pillar

Revision Control

Document Part Number: 03104504-N004EN

Revision: A

July 2014

Important Notices

© 2014, Utilimaster Corp.®

Title: *Transit—Fire Extinguisher*

Utilimaster Corporation attempts to provide information that is accurate, complete, and useful. All information contained in this manual is based on the latest product information available at the time of publication. However, because of the Utilimaster policy of continual product improvement, Utilimaster reserves the right to amend the information in this document at any time without prior notice.

This material is confidential and the property of Utilimaster. It is shared with your company for the sole purpose of helping you with the operation of the described equipment.

Utilimaster makes no warranty of any kind with regard to this material, including, but not limited to, the implied warranties of merchantability and fitness for a particular purpose. Utilimaster shall not be liable for errors contained herein or for incidental or consequential damages in connection with the furnishing, performance, or use of this material.

Utilimaster expressly disclaims all responsibility and liability for the installation, use, performance, maintenance, and support of third-party products. Customers are advised to make their independent evaluation of such products.

No part of this document may be photocopied, reproduced, or translated to another language without the prior written consent of Utilimaster.

Utilimaster® is a registered trademark of Utilimaster Corporation. All other products or name brands mentioned in this document are trademarks of their respective owners.

Browse our web site www.utilimaster.com for more information about Utilimaster and its products.