



# Transition Step

## Cargo to Cab Floor

---

### Kit 64212134SK

#### Contents

<i>Introduction</i> .....	2
<i>Kit Parts List</i> .....	2
<i>Notes, Cautions, and Warnings</i> .....	3
<i>Recommended Tools</i> .....	4
<i>Installation Instructions</i> .....	4
<i>Revision Control</i> .....	6
<i>Important Notices</i> .....	6

### Customer Service

**574-848-2073**

**Monday–Friday 8 a.m. to 5 p.m. Eastern Standard Time Zone**

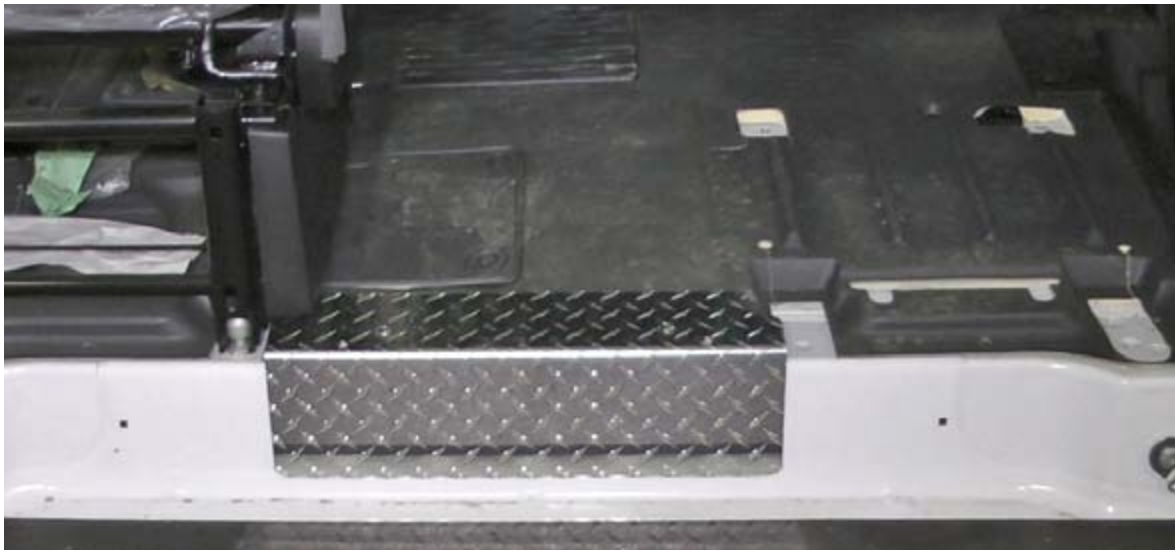
**Email: [Parts@Utilimaster.com](mailto:Parts@Utilimaster.com)**

*NOTE: The information in this document is generic. Images and procedures may differ from those for vehicles you are servicing. Because Utilimaster manufactures customized vehicle solutions, this document cannot list and illustrate every possible option for every vehicle. The most common body options are described here. Use this information as a guideline.*

## Introduction

This document provides instructions for the installation of the transition step between the cab and cargo floor supplied by Utilimaster Corporation for installation into the RAM ProMaster™ cargo van.

This manual contains drawings and photos to aid in servicing the vehicle. It may include maintenance information on some items provided but not manufactured by Utilimaster Corporation. Items such as drivetrain components and certain interior furnishings may be covered by separate manufacturer-supplied information. Information provided here is intended to assist Utilimaster customers and is in no way meant to replace or supersede instructions provided by other suppliers for their products.



*Cargo floor kickplate*

## Kit Parts List

64212134SK		ProMaster—Cargo Floor Kickplate
QTY	PART NUMBER	DESCRIPTION
1	03104592-N011EN	CARGO FLOOR TRANSITION INSTALL INSTRUCTIONS
2	11000150	INSERT THREAD 1/4-20
2	11305168	SCREW 1/4-20
1	64212133	KICKPLATE CARGO FLOOR ASSY PRMSTR

## Notes, Cautions, and Warnings

Reading through the procedures, you will see NOTES, CAUTIONS, and WARNINGS. Each is there for a specific purpose.

**NOTES** give additional information that will help you complete the procedure.

**CAUTIONS** warn against making an error that could damage the vehicle.

**WARNINGS** remind you to be careful when there is risk of personal injury.



***When you see this symbol, read this statement first! This alert highlights information that may reduce the risk of personal injury or vehicle damage.***

Below are some basic WARNINGS that you should heed when you work on the vehicle's body. They are not all-inclusive and common sense must be used when servicing vehicles.

- Always read and understand all instructions before starting.
- Always wear safety glasses and other appropriate protective equipment (gloves, steel-toed shoes, face shields, knee pads, hearing protection).
- Put the transmission in Park, and set the parking brake before working on the vehicle.
- Be sure that the ignition switch is Off unless otherwise required by the procedure.
- Keep your hair, clothing, and body away from all moving parts such as engine pulleys and power tools.
- Always remove rings, watches, hanging jewelry, and loose clothing before working in tight areas.
- Read and understand all warning labels.
- Always use proper ladders or scaffolding to perform required jobs.
- Always make sure tools are in proper working condition and have guards and safety devices in place.
- Use only the recommended tools for a specific job.
- If at any time you lack confidence in performing a specific repair procedure or in operating the tools safely to perform the repair, STOP! Call your local dealer or a Utilimaster representative.

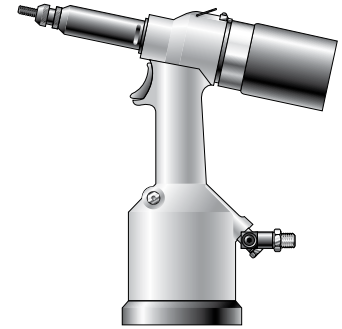
## Recommended Tools



**WARNING:** Always wear safety glasses and other proper protective equipment (gloves, steel-toed shoes, face shields, knee pads, hearing protection) as appropriate to the process.

Below are some tools that you will need for this process. There may be other commonly used hand tools required but not specifically mentioned.

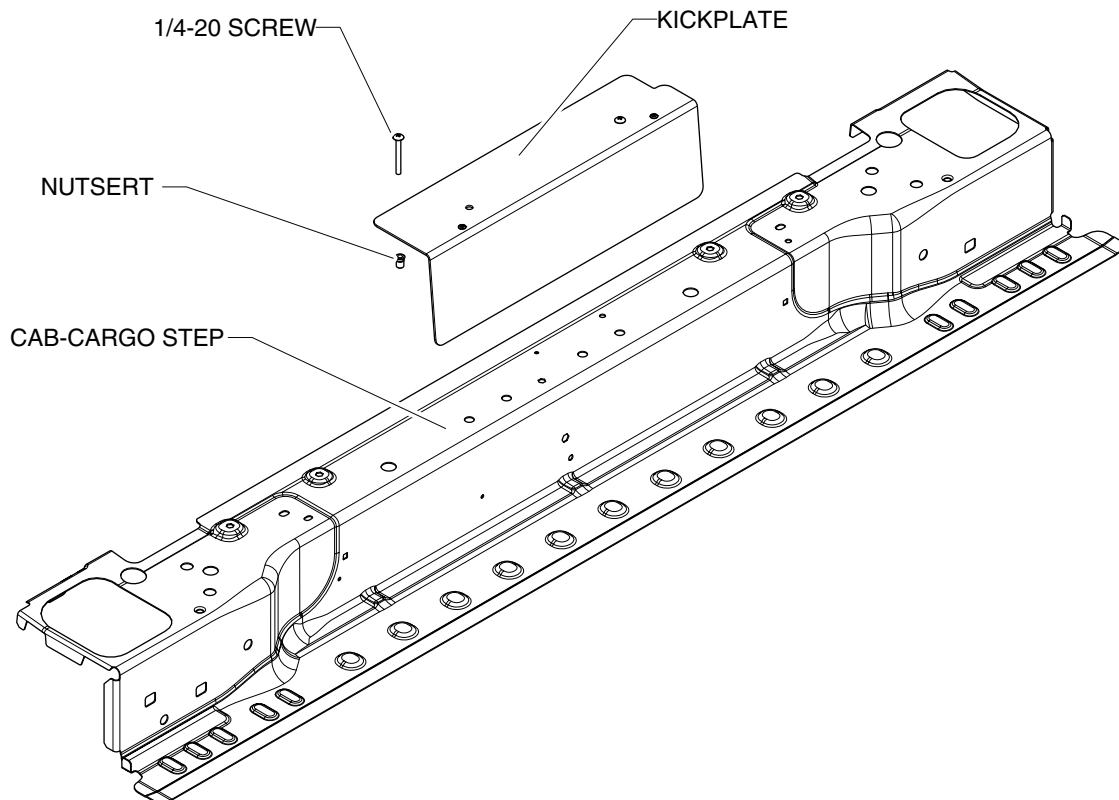
- Avdel® hydro-pneumatic tool 74200 for threaded inserts or equivalent



*Threaded insert tool*

## Installation Instructions

1. Read and understand all instructions before starting work.
2. Validate the packing slip with the list of parts in the instructions.



*Overview of the cargo floor kickplate*



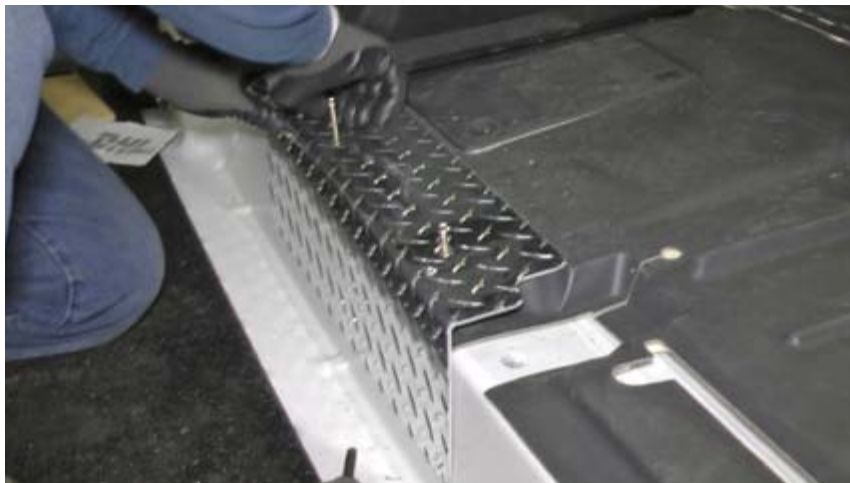
**CAUTION:** Do NOT use thread lock on the threads of a nutsert.

3. Use the holes in the cargo floor kickplate as a guide to mark (2) holes on cab-cargo step.
4. Use a threaded insert tool to install (2) nutserts in the cab-cargo step.



*Nutserts in the cab-cargo step*

5. Secure cargo floor kickplate with (2) 1/4-20 screws.



*Kickplate fasteners*

## Revision Control

Document Part Number: 03104592-N011EN

Revision: B  
Revision: A

April 2014  
March 2014

## Important Notices

© 2014, Utilimaster Corp.®

Title: *ProMaster—Cargo Floor Kickplate*

Utilimaster Corporation attempts to provide information that is accurate, complete, and useful. All information contained in this manual is based on the latest product information available at the time of publication. However, because of the Utilimaster policy of continual product improvement, Utilimaster reserves the right to amend the information in this document at any time without prior notice.

This material is confidential and the property of Utilimaster. It is shared with your company for the sole purpose of helping you with the operation of the described equipment.

Utilimaster makes no warranty of any kind with regard to this material, including, but not limited to, the implied warranties of merchantability and fitness for a particular purpose. Utilimaster shall not be liable for errors contained herein or for incidental or consequential damages in connection with the furnishing, performance, or use of this material.

Utilimaster expressly disclaims all responsibility and liability for the installation, use, performance, maintenance, and support of third-party products. Customers are advised to make their independent evaluation of such products.

No part of this document may be photocopied, reproduced, or translated to another language without the prior written consent of Utilimaster.

Utilimaster® is a registered trademark of Utilimaster Corporation. All other products or name brands mentioned in this document are trademarks of their respective owners.

Browse our web site [www.utilimaster.com](http://www.utilimaster.com) for more information about Utilimaster and its products.